

## VCR3-GM-M

### ErgoRack, GM Van

Three Crossbars, Powder Coat Finish  
Rack Weight (empty): 113 lbs

\*Callouts in this Configuration Overview indicate full module assemblies only.

For details on individual parts, please refer to the linked Module Overviews below.

- A: ..... [FEA-0008 Clamp Down Assembly](#)
- B: ..... [FBM-1025-BLK Mounting System](#)
- C: ..... [CBR-0003 Crossbar Assembly](#)
- D: ..... [CBR-0004 Mid Crossbar Kit](#)
- E: ..... [FEA-0002 Rotation Assembly](#)
- F: ..... [FEA-0022 Rotation Feature](#)
- G: ..... [FEA-0015 Rotation Driveshaft Feature](#)

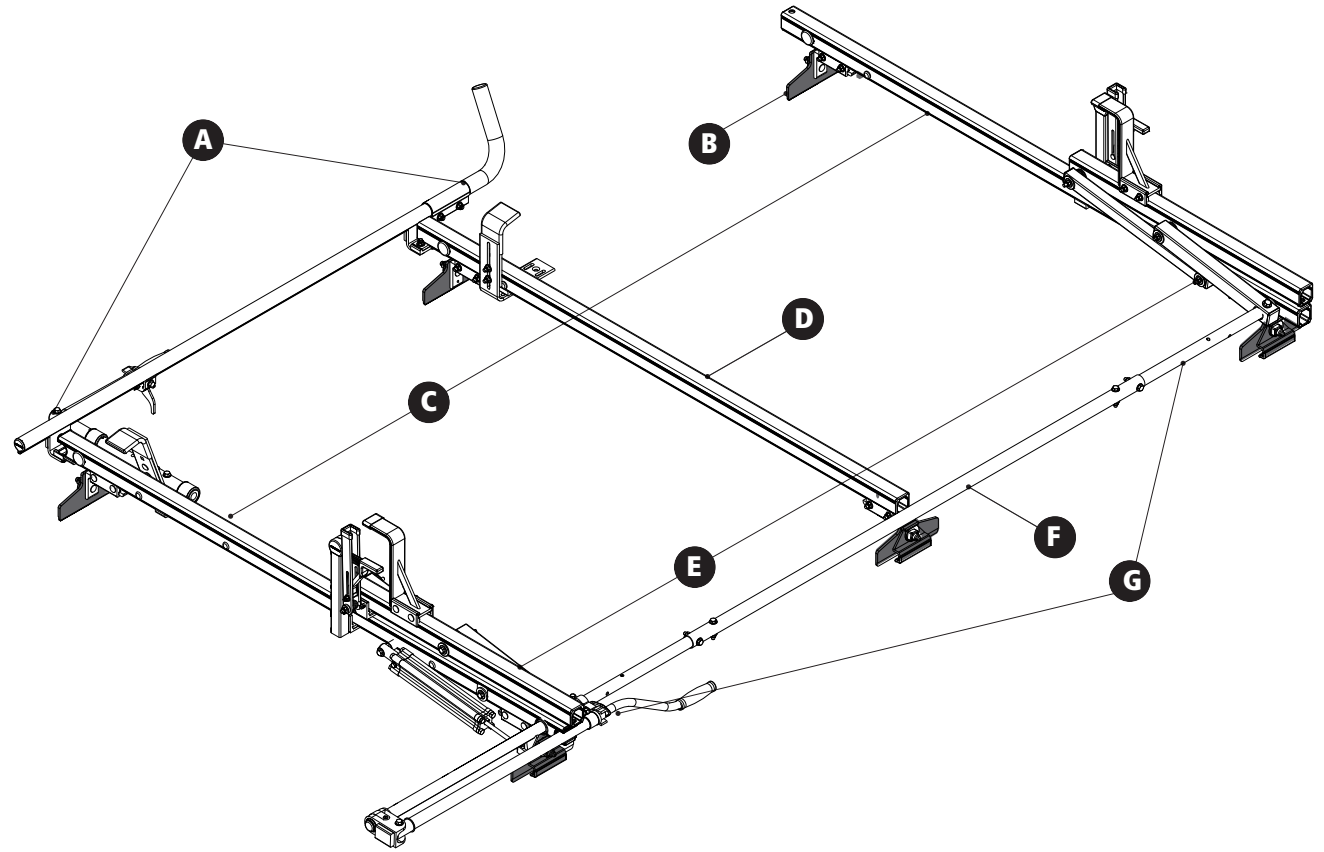
[Modular Assembly Manuals](#)

### ErgoRack Van—Load specifications:

Check vehicle manufacturer recommendations for roof capacity weight limits.

CROSSBAR SPACING	STEP LADDER	EXT. LADDER
4 ft Spacing	6 – 8 ft.	16 – 20 ft.
5 ft Spacing	8 – 10 ft.	16 – 24 ft.
6 ft Spacing	8 – 12 ft. <sup>†</sup>	16 – 28 ft.
7 ft Spacing	10 – 12 ft. <sup>†</sup>	20 – 32 ft.
8 ft Spacing	10 – 12 ft. <sup>†</sup>	20 – 36 ft.

<sup>†</sup>Rotation Configurations: 12 ft. step ladders require an extended upper add-on component.



## VCR3-GM-M

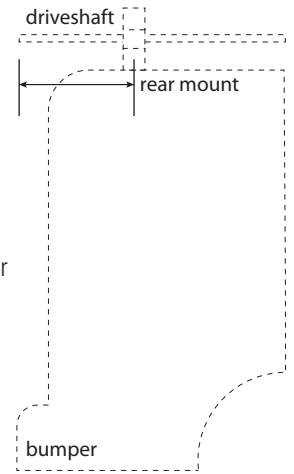
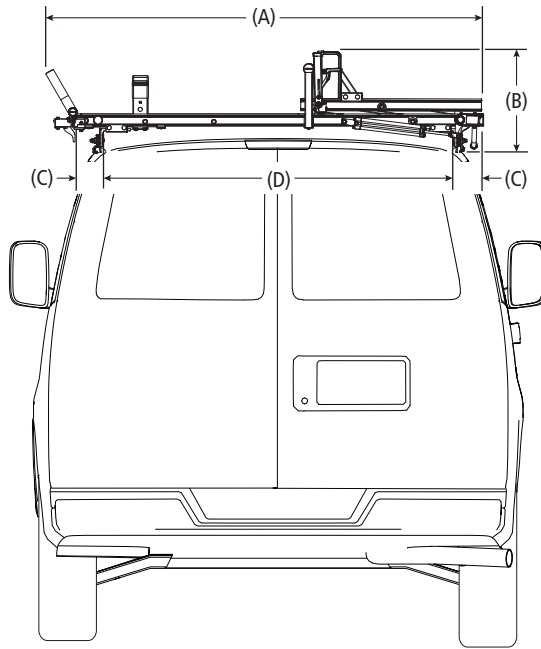
### ErgoRack, GM Van

Approximate dimensions as shown:

- A: Rack Width ..... 72"
- B: Rack Height ..... 16"
- C: Rear Crossbar Offset (L & R) ..... Even
- D: Mount Bolt Spacing L/R ..... Variable
- E: Crossbar Spacing (rear to center) ..... 4'
- F: Crossbar Spacing (center to front) ..... 2'-4'
- G: Total Crossbar Spacing ..... 6'-8'
- H: Rack Length ..... 98" - 122"

### Compatible Accessories Available (Sold Separately)

- Rear Access Ladder.....[AAL Series](#)
- 8'-12' Conduit Carriers.....[CON Series](#)
- WorkPro LED Lighting.....[LED Series](#)
- Systems and Safety Components .....[RVS Series](#)
- Safety monitoring.....[DS2 Series](#)



Rear Drive Shaft Offset: 24"

Note: The end of the driveshaft must not extend beyond the vehicle bumper

