

## VRR-TC-M

### ErgoRack, Transit Connect

Two Crossbars, Powder Coat Finish  
Rack Weight (empty): 110 lbs

\*Callouts in this Configuration Overview indicate full module assemblies only.

For details on individual parts, please refer to the linked Module Overviews below.

- A: ..... [FEA-0016 Rotation Driveshaft Feature](#)
- B: ..... [FBM-1012-BLK Mounting System](#)
- C: ..... [FEA-0002 Rotation Assembly \(x2\)](#)
- D: ..... [CBR-0001 Crossbar Assembly](#)
- E: ..... [FEA-0015 Rotation Driveshaft Feature](#)

[Modular Assembly Manuals](#)

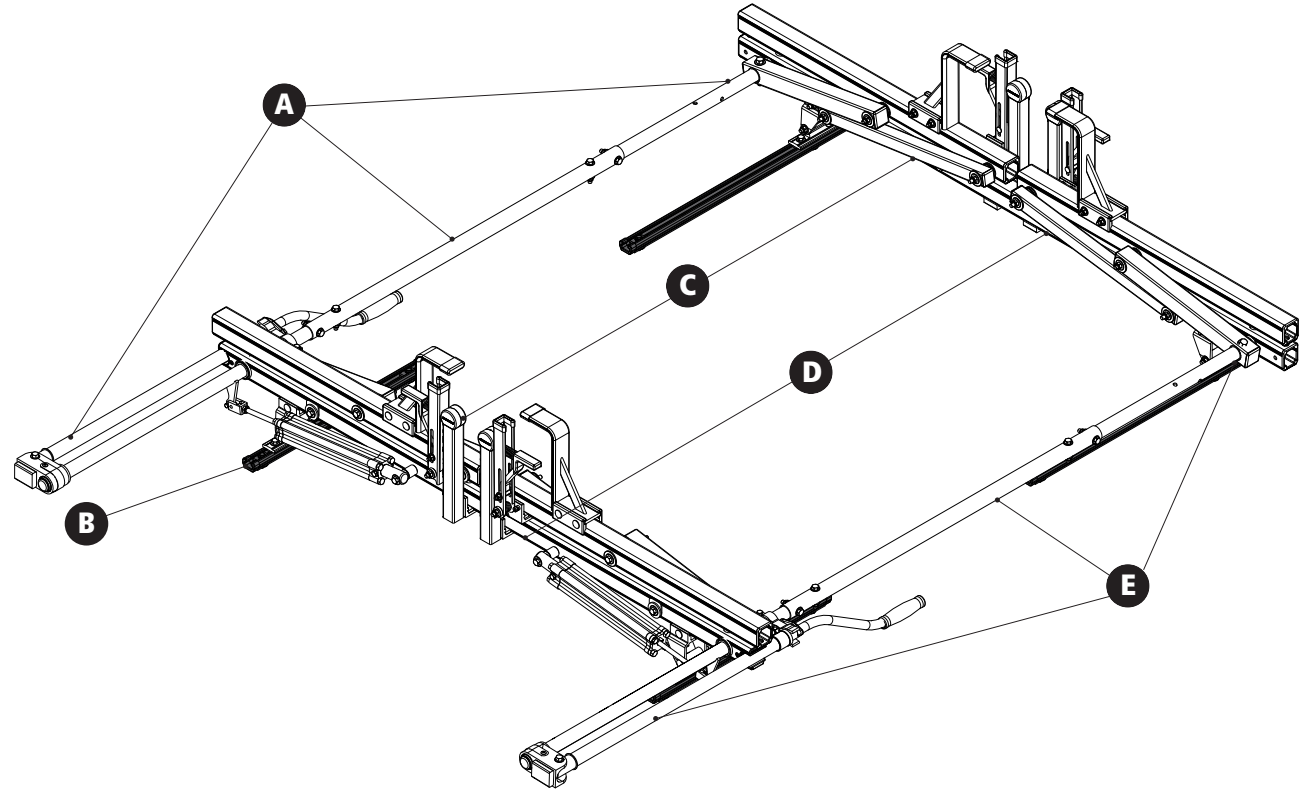
### ErgoRack Van—Load specifications:

Check vehicle manufacturer recommendations for roof capacity weight limits.

| CROSSBAR SPACING | STEP LADDER              | EXT. LADDER |
|------------------|--------------------------|-------------|
| 4 ft Spacing     | 6 – 8 ft.                | 16 – 20 ft. |
| 5 ft Spacing     | 8 – 10 ft.               | 16 – 24 ft. |
| 6 ft Spacing     | 8 – 12 ft. <sup>†</sup>  | 16 – 28 ft. |
| 7 ft Spacing     | 10 – 12 ft. <sup>†</sup> | 20 – 32 ft. |
| 8 ft Spacing     | 10 – 12 ft. <sup>†</sup> | 20 – 36 ft. |

<sup>†</sup>Rotation Configurations: 12 ft. step ladders require an extended upper add-on component.

\*Example shown with 105" Wheelbase Configuration



## VRR-TC-M

### ErgoRack, Transit Connect

Approximate dimensions as shown:

#### All Wheelbases

- A: Rack Width ..... 62"
- B: Rack Height ..... 17.50"
- C: Rear Crossbar Offset (Left).....Even
- D: Mount Bolt Spacing L/R..... Set at install

#### 105" Wheelbase

- E: Total Crossbar Spacing.....5'
- F: Rack Length ..... 88"

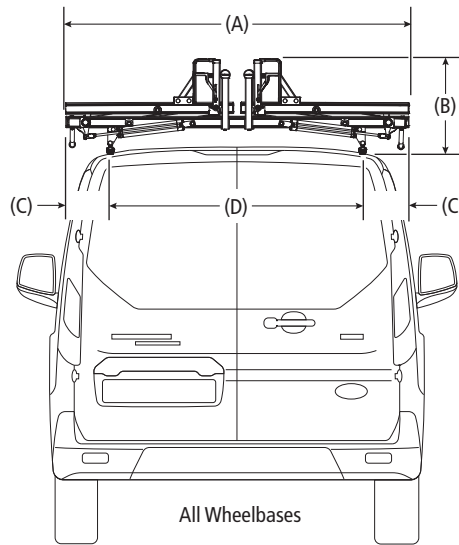
#### 121" Wheelbase

- G: Total Crossbar Spacing.....6'
- H: Rack Length..... 100"

#### Compatible Accessories Available

(Sold Separately)

- WorkPro LED Lighting..... [LED Series](#)
- Systems and Safety Components ..... [RVS Series](#)
- Safety monitoring..... [DS2 Series](#)



Rear Drive Shaft Offset: 24"

Note: The end of the driveshaft must not extend beyond the vehicle bumper

