

AR1912

AluRack, Ford Transit L3H2

Configuration as shown:

Anodized Aluminum
Option Rack Weight (empty): 81 lbs

*Callouts in this Configuration Overview indicate full module assemblies only.

For details on individual parts, please refer to the linked Module Overviews below.

AR1912 (Clear Anodized)

A: [FBM-1017-BLK Mounting System](#)
B: [AR-2106 136" Side Rail Feature](#)
C: [AR-2001 67" Crossbar Feature](#)

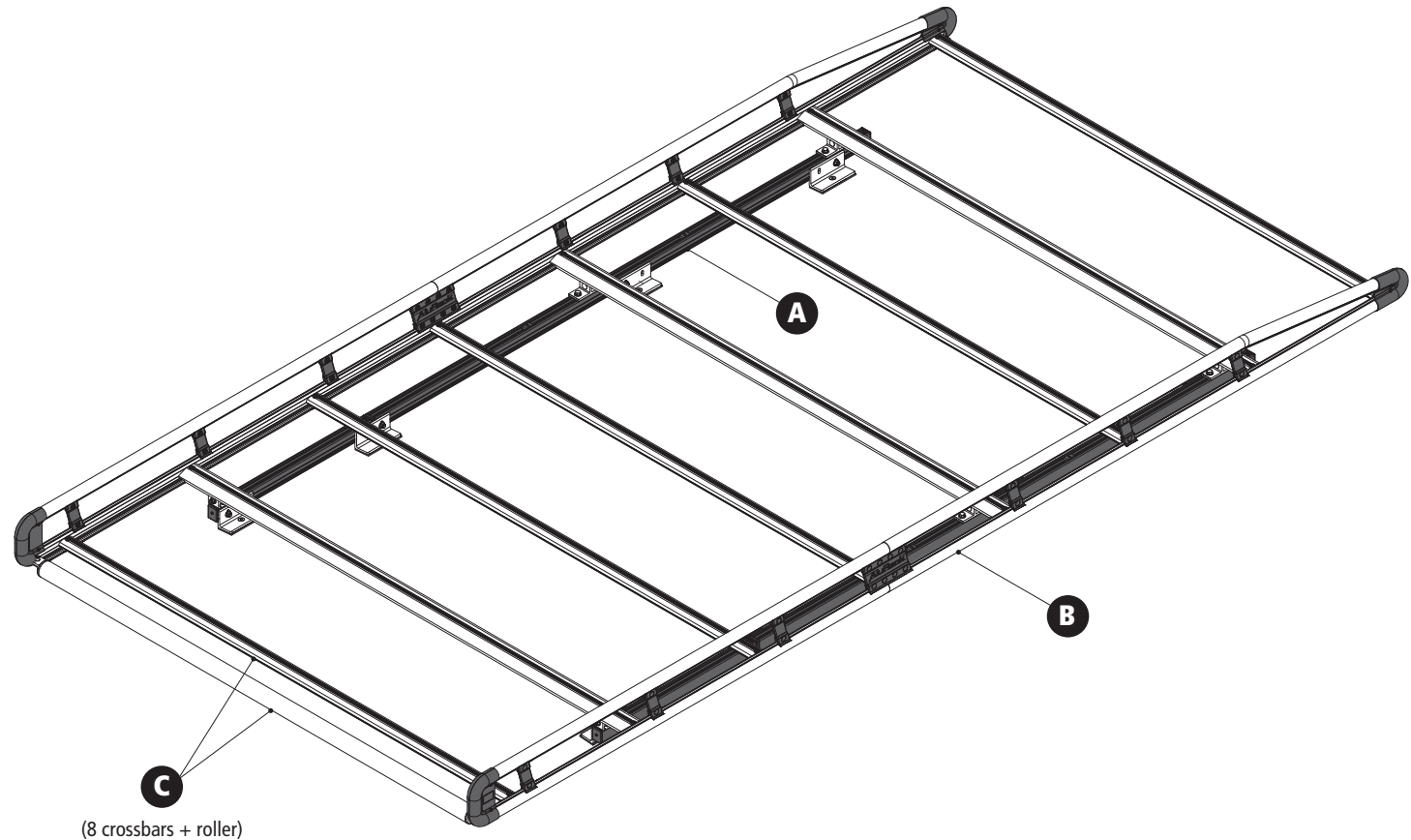
AR1912-BLK (Black Anodized)

A: [FBM-1017-BLK Mounting System](#)
B: [AR-2106-BLK 136" Side Rail Feature](#)
C: [AR-2001-BLK 67" Crossbar Feature](#)

[Modular Assembly Manuals](#)

AluRack—Load specifications:

Check vehicle manufacturer recommendations for roof capacity weight limits.



AR1912

Ford Transit L3H2

Approximate dimensions as shown:

- A: Rack Width 69"
- B: Rack Length 140"
- C: Rack Height 9.50"

Compatible Accessories Available (Sold Separately)

- Ladder Clamp Down..... [ACX-AXC Series](#)
- Retractable Ratchet Tie-Down.....[ACC-8000](#)
- 8'–12' Conduit Tubes[CON Series](#)
- WorkPro LED Lighting..... [LED Series](#)
- Systems and Safety Components[RVS Series](#)
- Safety monitoring.....[DS2 Series](#)
- Rear Access Ladder.....[AAL Series](#)

