

# PRIME DESIGN™

A Safe Fleet Brand

## AR1930

### AluRack, Sprinter 2007+ L3/L4

#### Configuration as shown:

Anodized Aluminum  
Option Rack Weight (empty): 77 lbs

\*Callouts in this Configuration Overview indicate full module assemblies only.

For details on individual parts, please refer to the linked Module Overviews below.

#### AR1930 (Clear Anodized)

A: ..... [FBM-1008-BLK Mounting System](#)  
B: ..... [AR-2108 152" Side Rail Feature](#)  
C: ..... [AR-2002 59" Crossbar Feature](#)

#### AR1930-BLK (Black Anodized)

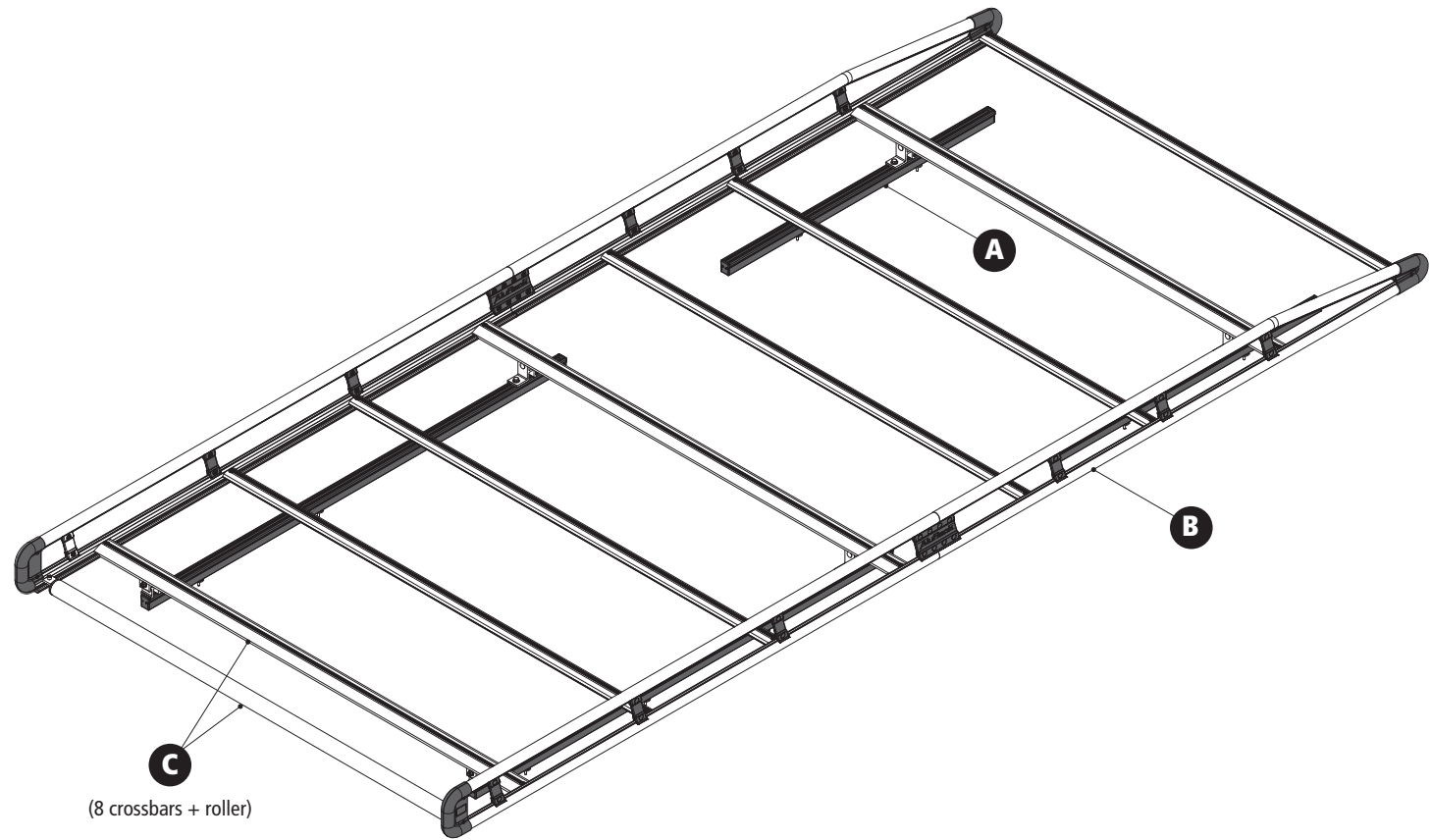
A: ..... [FBM-1008-BLK Mounting System](#)  
B: ..... [AR-2108-BLK 152" Side Rail Feature](#)  
C: ..... [AR-2002-BLK 59" Crossbar Feature](#)

#### [Modular Assembly Manuals](#)

#### AluRack—Load specifications:

Check vehicle manufacturer recommendations for roof capacity weight limits.

USOV-AR1930-US01 Rev-B 0520



## AR1930

Sprinter 2007+ L3/L4

Approximate dimensions as shown:

- A: Rack Width ..... 61"
- B: Rack Length ..... 156"
- C: Rack Height ..... 10.50"

### Compatible Accessories Available (Sold Separately)

- Ladder Clamp Down..... [ACX-AXC Series](#)
- Retractable Ratchet Tie-Down.....[ACC-8000](#)
- 8'–12' Conduit Tubes .....[CON Series](#)
- WorkPro LED Lighting..... [LED Series](#)
- Systems and Safety Components .....[RVS Series](#)
- Safety monitoring.....[DS2 Series](#)
- Rear Access Ladder.....[AAL Series](#)

