

## FBM-1019

### AluRack Topper Mounting Assembly

*Configuration as shown:*

Gutterless, Flat Top Cap  
Weight: 4.50 lbs

*Approximate dimensions as shown:*

*FBM-1019-BLK (RAW FINISH)*

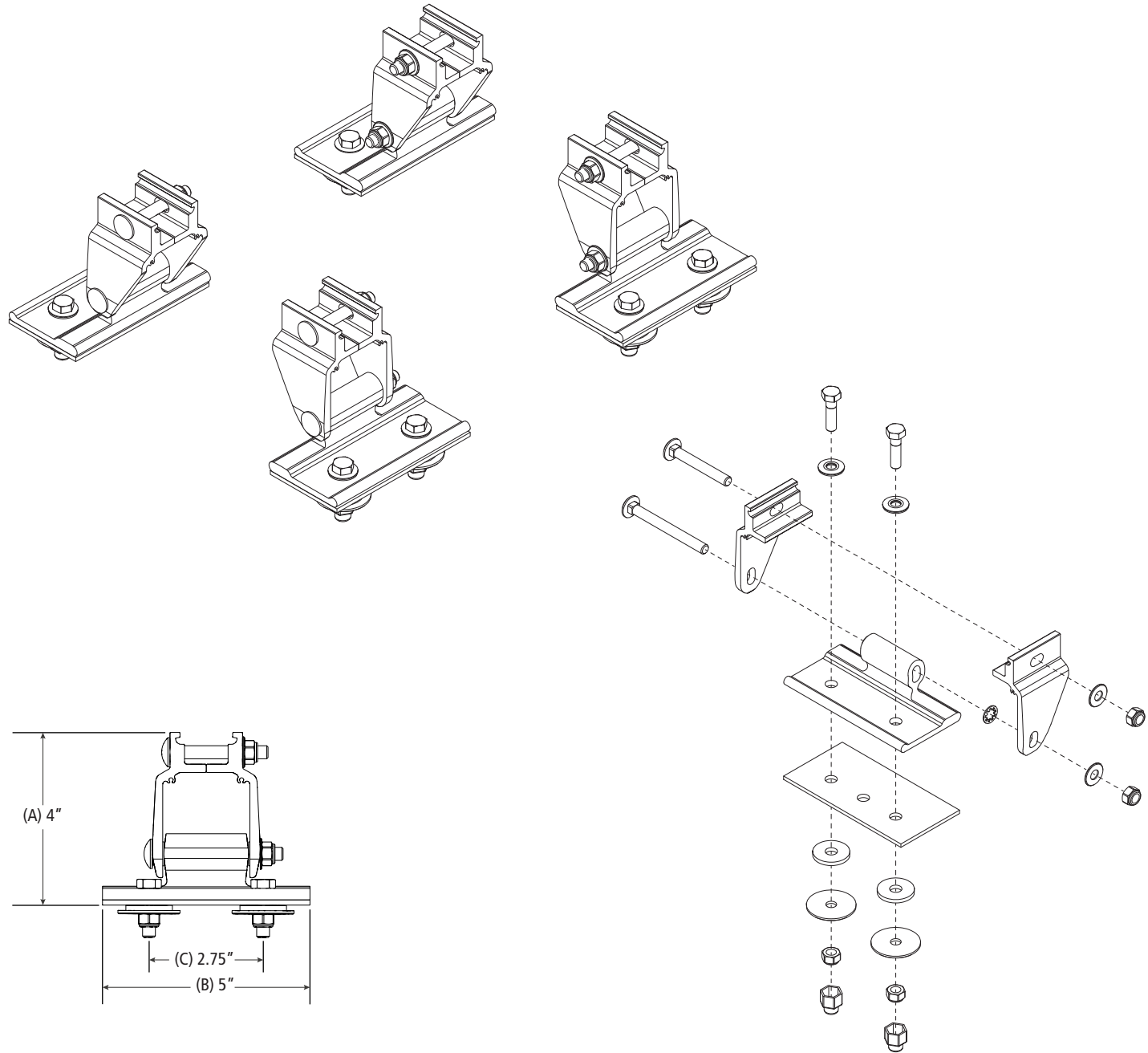
*FBM-1019 (WHITE POWDERCOAT FINISH)*

A: Mounting Height ..... 4"

B: Mounting Width ..... 5"

C: Bolt Pattern ..... 2.75"

[Modular Assembly Manuals](#)



*Assembly Manual also available:*

[FBM-1019-BLK](#)  
[FBM-1019](#)