

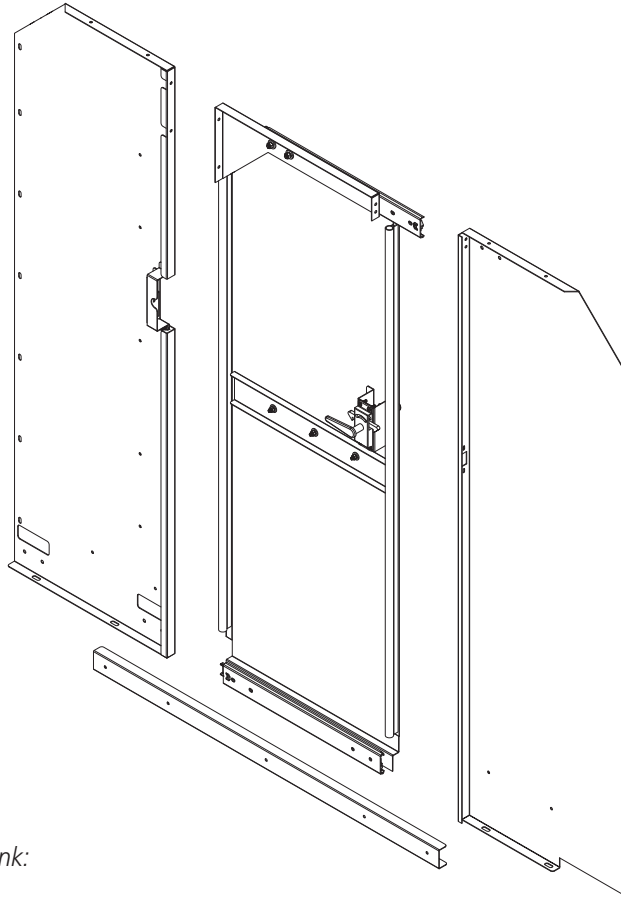
Modular Sliding Partition

MANUAL DOWNLOAD SHEET – UNIVERSAL SLIDING DOOR ASSEMBLY

MODELS AVAILABLE:

MSP-A125 (ALUMINUM)

MSP-S16 (STEEL)



Assembly Manual also available at the following link:

[MSP-A125/S16-M Series](https://www.primedesign.net/?wpdmdl=15682)

<https://www.primedesign.net/?wpdmdl=15682>

Modular Cargo Van Sliding Partition Matrix

Full Van Layout Model Number	Vehicle	Roof Height	Material	Universal Sliding Door	Header and Side Wings
MSP-A125-FT-HR	Ford Transit	High	Aluminum	MSP-A125	AWK-FT-HR
MSP-A125-FT-MR	Ford Transit	Medium	Aluminum	MSP-A125	AWK-FT-MR
MSP-S16-FT-HR	Ford Transit	High	Steel	MSP-S16	SWK-FT-HR
MSP-S16-FT-MR	Ford Transit	Medium	Steel	MSP-S16	SWK-FT-MR
MSP-A125-PM-HR	RAM ProMaster	High	Aluminum	MSP-A125	AWK-PM-HR
MSP-S16-PM-HR	RAM ProMaster	High	Steel	MSP-S16	SWK-PM-HR
MSP-A125-MS-HR	Mercedes Sprinter	High	Aluminum	MSP-A125	AWK-MS-HR
MSP-A125-MS-STD	Mercedes Sprinter	Standard	Aluminum	MSP-A125	AWK-MS-STD
MSP-S16-MS-HR	Mercedes Sprinter	High	Steel	MSP-S16	SWK-MS-HR
MSP-S16-MS-STD	Mercedes Sprinter	Standard	Steel	MSP-S16	SWK-MS-STD

PRIME DESIGN™

A Safe Fleet Brand

Modular Sliding Partition

MANUAL DOWNLOAD SHEET – HEADER & SIDE WING ASSEMBLY KITS

MODELS AVAILABLE:

AWK-FT-HR (ALUMINUM)

SWK-FT-HR (STEEL)

AWK-FT-MR (ALUMINUM)

SWK-FT-MR (STEEL)

AWK-PM-HR (ALUMINUM)

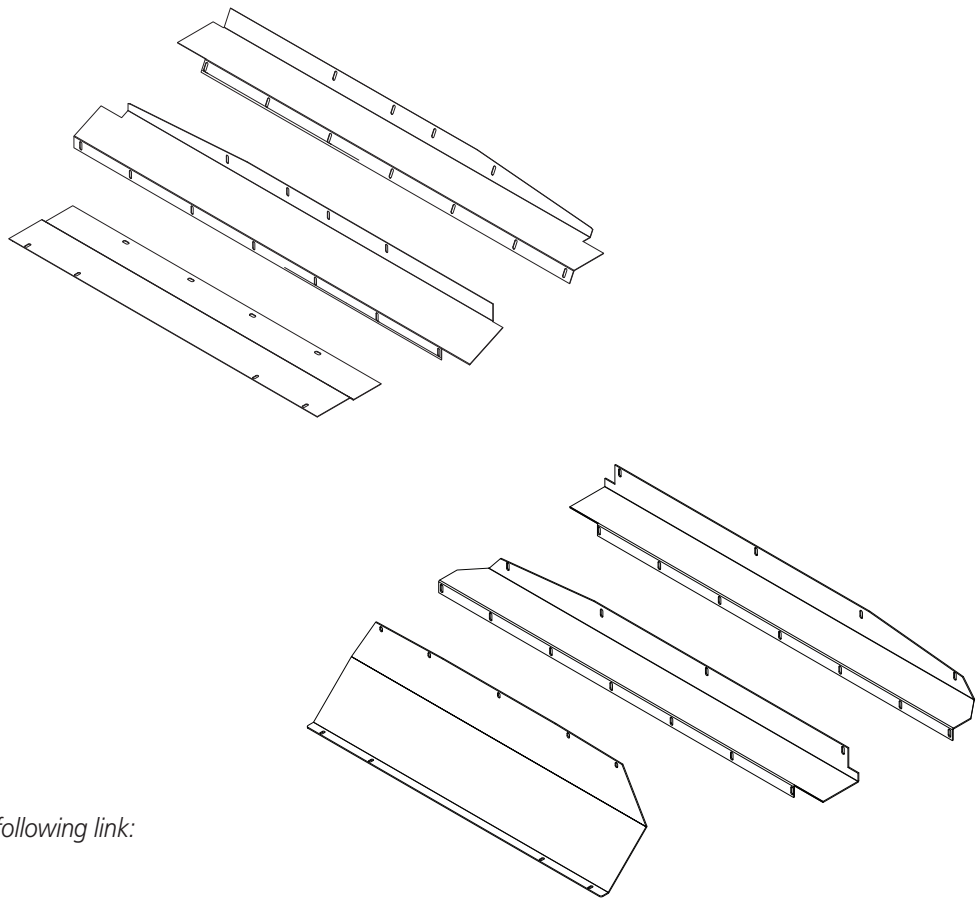
SWK-PM-HR (STEEL)

AWK-MS-HR (ALUMINUM)

SWK-MS-HR (STEEL)

AWK-MS-STD (ALUMINUM)

SWK-MS-STD (STEEL)



Assembly Manual also available at the following link:

[AWK-SWK-M Series](https://www.primedesign.net/?wpdmdl=15682)

<https://www.primedesign.net/?wpdmdl=15682>

Modular Cargo Van Sliding Partition Matrix

Full Van Layout Model Number	Vehicle	Roof Height	Material	Universal Sliding Door	Header and Side Wings
MSP-A125-FT-HR	Ford Transit	High	Aluminum	MSP-A125	AWK-FT-HR
MSP-A125-FT-MR	Ford Transit	Medium	Aluminum	MSP-A125	AWK-FT-MR
MSP-S16-FT-HR	Ford Transit	High	Steel	MSP-S16	SWK-FT-HR
MSP-S16-FT-MR	Ford Transit	Medium	Steel	MSP-S16	SWK-FT-MR
MSP-A125-PM-HR	RAM ProMaster	High	Aluminum	MSP-A125	AWK-PM-HR
MSP-S16-PM-HR	RAM ProMaster	High	Steel	MSP-S16	SWK-PM-HR
MSP-A125-MS-HR	Mercedes Sprinter	High	Aluminum	MSP-A125	AWK-MS-HR
MSP-A125-MS-STD	Mercedes Sprinter	Standard	Aluminum	MSP-A125	AWK-MS-STD
MSP-S16-MS-HR	Mercedes Sprinter	High	Steel	MSP-S16	SWK-MS-HR
MSP-S16-MS-STD	Mercedes Sprinter	Standard	Steel	MSP-S16	SWK-MS-STD

PRIME DESIGN™

A Safe Fleet Brand